

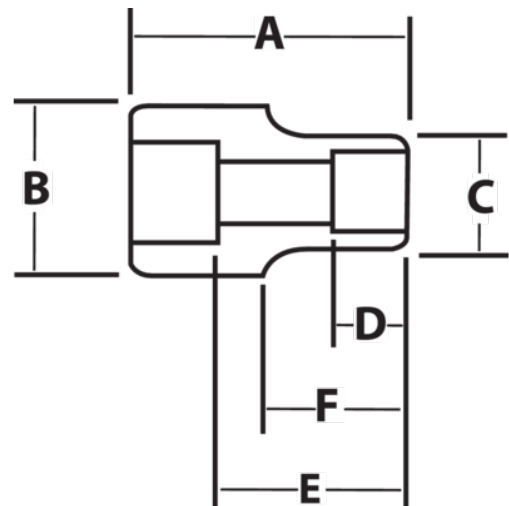


JHW14M-617
1/2" Drive Deep Impact Socket 6-Point 17 mm, Black Industrial Finish







PRODUCT DETAILS

- SUPERTORQUE™ lobular openings for greater turning power without deforming the fastener
- Designed for maximum engagement on 6 point fasteners
- Suitable for use with pneumatic and electric impact wrenches
- Specially heat treated for impact use to provide long life, safety, and durability



PRODUCT ATTRIBUTES

Product			A	B	C	D	E		F	
JHW14M-617	1/2 in	17 mm	3-1/4 in	1 in	1 in	27/64 in	1-31/32 in	39/64 in	27/64 in	0.41 lb