

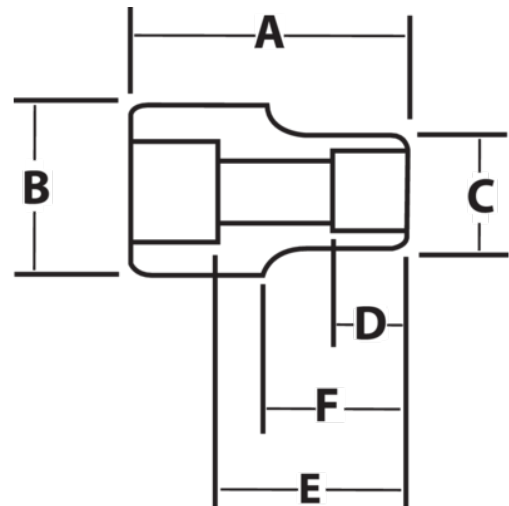


JHWHD-634
3/4 Drive Deep Socket, High Polished Chrome Finish, 6 Point, 1-1/16



PRODUCT DETAILS

- SUPERTORQUE® lobular openings for greater turning power without deforming the fastener
- Designed for maximum engagement on 6 point fasteners



PRODUCT ATTRIBUTES

Product			A	B	C	D	E		F	
JHWHD-634	3/4 in	1-1/16 in	3-1/2 in	1-1/2 in	1-9/16 in	3/4 in	2-1/2 in	3/4 in	2-7/32 in	0.98 lb