

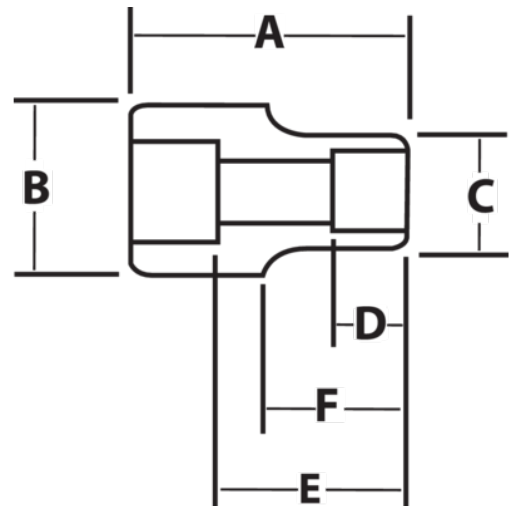


**JHWHD-646**  
**3/4 Drive Deep Socket, High Polished Chrome Finish, 6 Point, 1-7/16**



**PRODUCT DETAILS**

- SUPERTORQUE® lobular openings for greater turning power without deforming the fastener
- Designed for maximum engagement on 6 point fasteners



**PRODUCT ATTRIBUTES**

Product			<b>A</b>	<b>B</b>	<b>C</b>	<b>D</b>	<b>E</b>		<b>F</b>	
<b>JHWHD-646</b>	3/4 in	1-7/16 in	3-1/2 in	1-5/8 in	2 in	1 in	2-9/16 in	1-7/16 in	2-1/8 in	1.63 lb