

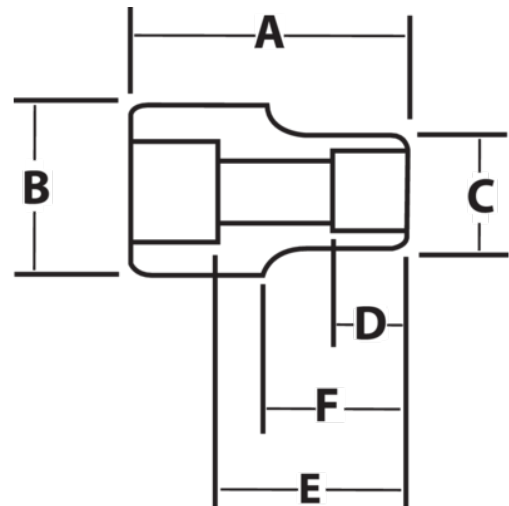


JHWHD-648
3/4 Drive Deep Socket, High Polished Chrome Finish, 6 Point, 1-1/2



PRODUCT DETAILS

- SUPERTORQUE® lobular openings for greater turning power without deforming the fastener
- Designed for maximum engagement on 6 point fasteners



PRODUCT ATTRIBUTES

| Product | | | A | B | C | D | E | | F | |
|------------------|--------|----------|----------|----------|-----------|----------|-----------|----------|----------|---------|
| JHWHD-648 | 3/4 in | 1-1/2 in | 3-1/2 in | 1-5/8 in | 2-1/16 in | 1-1/4 in | 2-9/16 in | 1-1/2 in | 2-1/8 in | 1.65 lb |