

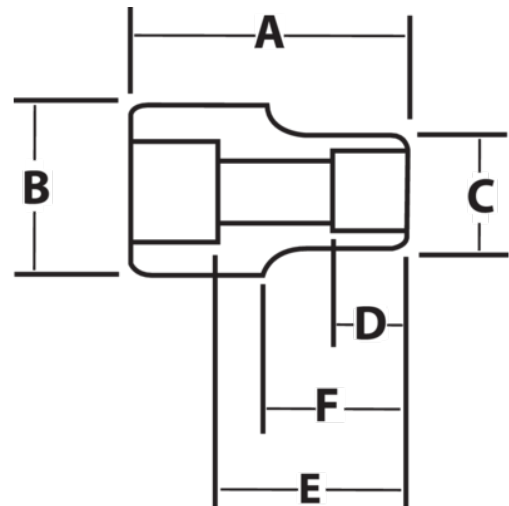


**JHWHM-1219**  
**3/4 Drive Shallow Socket, High**  
**Polished Chrome Finish, 12 Point**  
**19 mm**



**PRODUCT DETAILS**

- SUPERTORQUE® lobular openings for greater turning power without deforming the fastener
- Designed for quick engagement on both 6 and 12 point fasteners



**PRODUCT ATTRIBUTES**

| Product           |        |       | <b>A</b> | <b>B</b> | <b>C</b> | <b>D</b> | <b>E</b>  |          | <b>F</b> |         |
|-------------------|--------|-------|----------|----------|----------|----------|-----------|----------|----------|---------|
| <b>JHWHM-1219</b> | 3/4 in | 19-mm | 2 in     | 7/16 in  | 1-1/8 in | 9/16 in  | 1-1/32 in | 11/16 in | 13/16 in | 0.44 lb |