



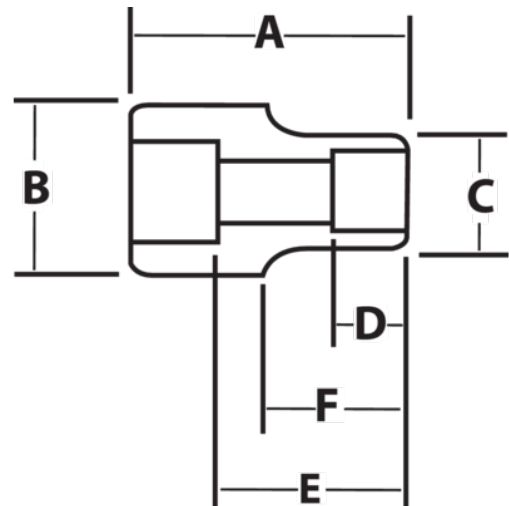
JHWHM-1224

3/4 Drive Shallow Socket, High Polished Chrome Finish,, 12 Point, 24 mm



PRODUCT DETAILS

- SUPERTORQUE® lobular openings for greater turning power without deforming the fastener
- Designed for quick engagement on both 6 and 12 point fasteners



PRODUCT ATTRIBUTES

Product			A	B	C	D	E		F	
JHWHM-1224	3/4 in	24-mm	2 in	7/16 in	1-3/8 in	21/32 in	1-1/32 in	11/16 in	13/16 in	0.37 lb