



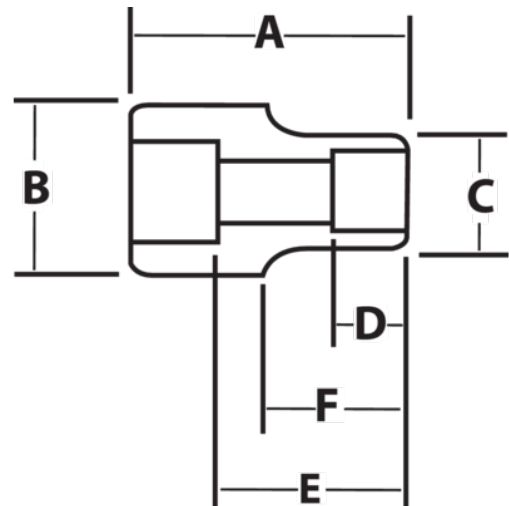
JHWHM-1236

3/4 Drive Shallow Socket, High Polished Chrome Finish, 12 Point, 36 mm



PRODUCT DETAILS

- SUPERTORQUE® lobular openings for greater turning power without deforming the fastener
- Designed for quick engagement on both 6 and 12 point fasteners



PRODUCT ATTRIBUTES

Product			A	B	C	D	E		F	
JHWHM-1236	3/4 in	36-mm	2-5/16 in	1-5/8 in	1-15/16 in	29/32 in	1-13/32 in	1-1/4 in	7/8 in	0.93 lb