



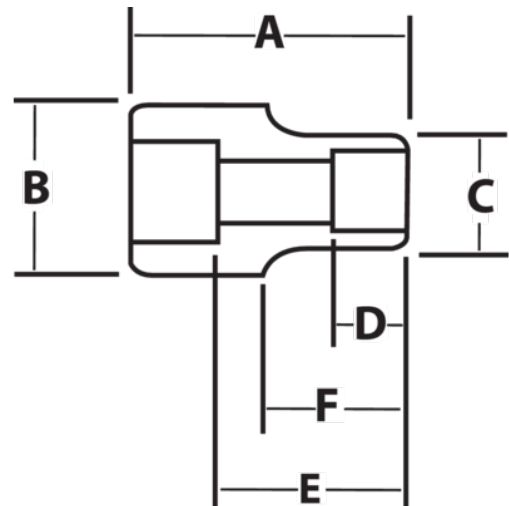
JHWHM-1238

**3/4 Drive Shallow Socket, High
Polished Chrome Finish, 12 Point,
38 mm**



PRODUCT DETAILS

- SUPERTORQUE® lobular openings for greater turning power without deforming the fastener
- Designed for quick engagement on both 6 and 12 point fasteners



PRODUCT ATTRIBUTES

Product			A	B	C	D	E		F	
JHWHM-1238	3/4 in	38-mm	2-1/2 in	1-5/8 in	2-1/16 in	1 in	1-19/32 in	1-9/16 in	1-1/16 in	1.44 lb