

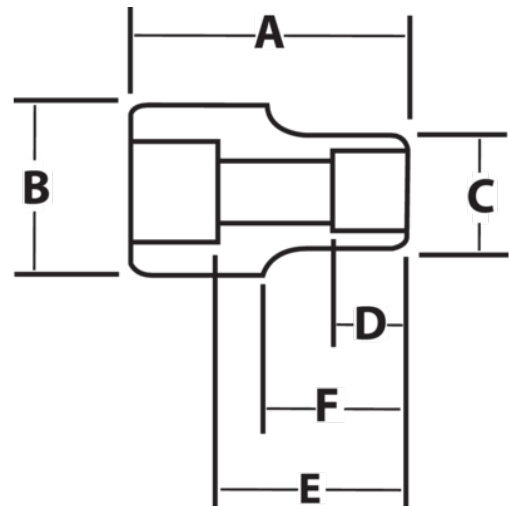


JHWHM-1246
3/4 Drive Shallow Socket, High
Polished Chrome Finish, 12 Point,
46 mm







PRODUCT DETAILS

- SUPERTORQUE® lobular openings for greater turning power without deforming the fastener
- Designed for quick engagement on both 6 and 12 point fasteners



PRODUCT ATTRIBUTES

Product			A	B	C	D	E		F	
JHWHM-1246	3/4 in	46-mm	3-1/8 in	1-3/4 in	2-7/16 in	1-3/16 in	1-31/32 in	1-13/32 in	1-11/16 in	1.56 lb