

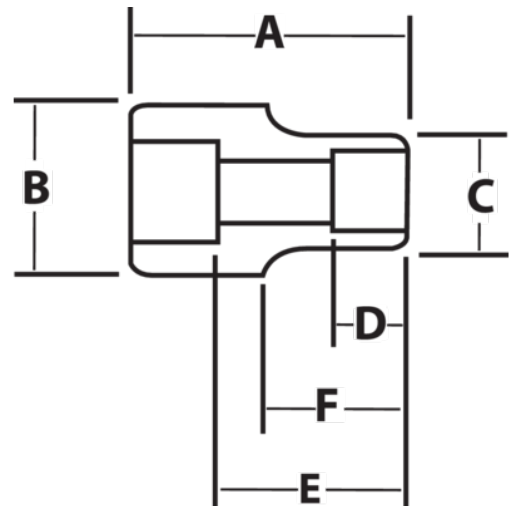


JHWHM-1250
3/4 Drive Shallow Socket, High
Polished Chrome Finish, 12 Point,
50 mm



PRODUCT DETAILS

- SUPERTORQUE® lobular openings for greater turning power without deforming the fastener
- Designed for quick engagement on both 6 and 12 point fasteners



PRODUCT ATTRIBUTES

Product			A	B	C	D	E		F	
JHWHM-1250	3/4 in	50-mm	3 in	1-3/4 in	2-5/8 in	1-5/16 in	2-3/32 in	1-13/32 in	1-13/32 in	1.73 lb