

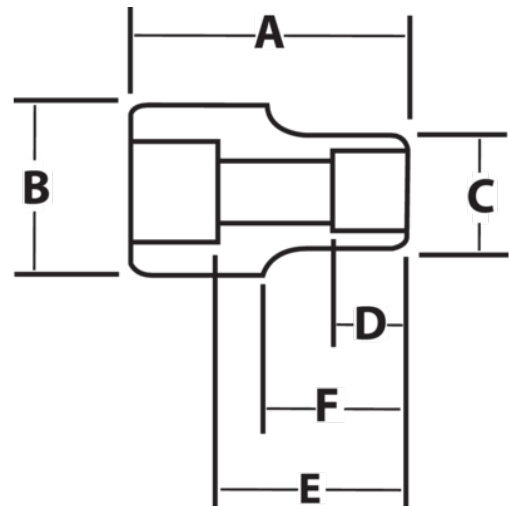


**JHWHM-1260**  
**3/4 Drive Shallow Socket, High**  
**Polished Chrome Finish, 12 Point,**  
**60 mm**



**PRODUCT DETAILS**

- SUPERTORQUE® lobular openings for greater turning power without deforming the fastener
- Designed for quick engagement on both 6 and 12 point fasteners



**PRODUCT ATTRIBUTES**

Product			<b>A</b>	<b>B</b>	<b>C</b>	<b>D</b>	<b>E</b>		<b>F</b>	
<b>JHWHM-1260</b>	3/4 in	60-mm	3-5/8 in	1-3/4 in	3-1/4 in	1-3/4 in	2-23/32 in	1-3/4 in	2-1/8 in	3.52 lb