

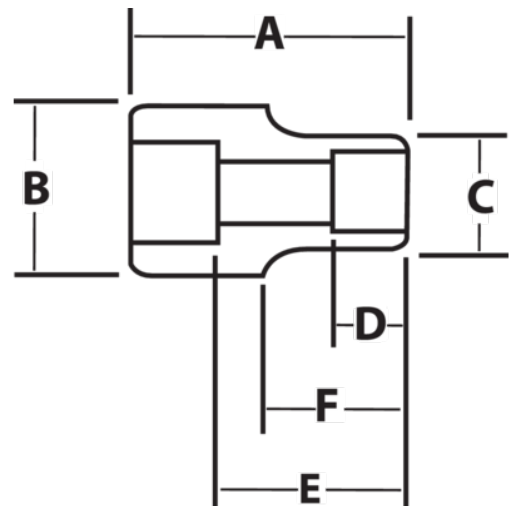


JHW16-624
3/4" Drive Deep Impact Socket 6-Point 3/4", Black Industrial Finish







PRODUCT DETAILS

- SUPERTORQUE® lobular openings for greater turning power without deforming the fastener
- Designed for maximum engagement on 6 point fasteners
- Suitable for use with pneumatic and electric impact wrenches
- Specially heat treated for impact use to provide long life, safety, and durability



PRODUCT ATTRIBUTES

Product			A	B	C	D	E		F	
JHW16-624	3/4 in	3/4 in	3 in	1-5/8 in	1-1/4 in	9/16 in	2-1/32 in	9/16 in	9/16 in	1.18 lb