

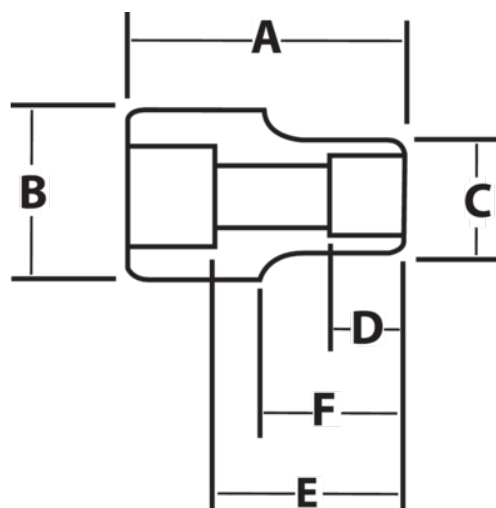


JHW16-634
3/4" Drive Deep Impact Socket 6-Point 1-1/16", Black Industrial Finish







PRODUCT DETAILS

- SUPERTORQUE® lobular openings for greater turning power without deforming the fastener
- Designed for maximum engagement on 6 point fasteners
- Suitable for use with pneumatic and electric impact wrenches
- Specially heat treated for impact use to provide long life, safety, and durability



PRODUCT ATTRIBUTES

Product			A	B	C	D	E		F	
JHW16-634	3/4 in	1-1/16 in	3 in	1-5/8 in	1-11/16 in	11/16 in	2-1/32 in	3/4 in	11/16 in	1.16 lb