

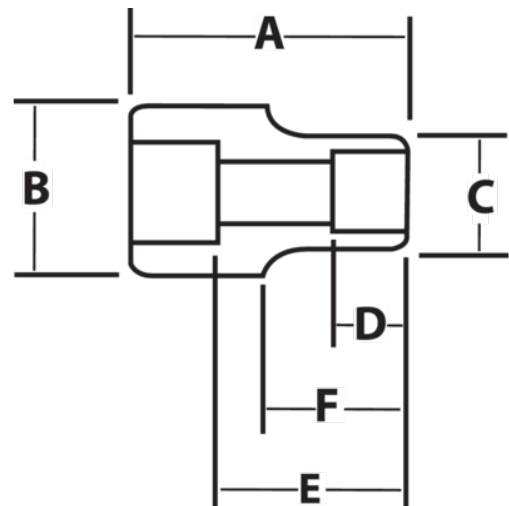


**JHW16-640**  
**3/4" Drive Deep Impact Socket 6-Point 1-1/4", Black Industrial Finish**







**PRODUCT DETAILS**

- SUPERTORQUE® lobular openings for greater turning power without deforming the fastener
- Designed for maximum engagement on 6 point fasteners
- Suitable for use with pneumatic and electric impact wrenches
- Specially heat treated for impact use to provide long life, safety, and durability



PRODUCT ATTRIBUTES

| Product          |  |  | <b>A</b> | <b>B</b> | <b>C</b>   | <b>D</b> | <b>E</b>  |  | <b>F</b> |  |
|------------------|---|---|----------|----------|------------|----------|-----------|---|----------|---|
| <b>JHW16-640</b> | 3/4 in  | 1-1/4 in  | 3-1/4 in | 1-3/4 in | 1-15/16 in | 7/8 in   | 2-9/32 in | 1-1/4 in  | 7/8 in   | 1.72 lb   |