

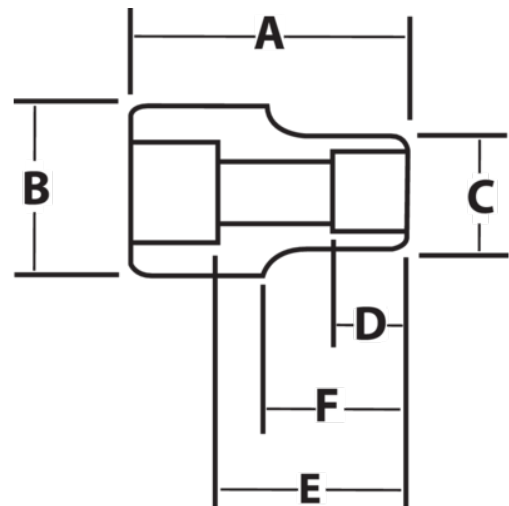


**JHW16-646**  
**3/4" Drive Deep Impact Socket 6-Point 1-7/16", Black Industrial Finish**







**PRODUCT DETAILS**

- SUPERTORQUE® lobular openings for greater turning power without deforming the fastener
- Designed for maximum engagement on 6 point fasteners
- Suitable for use with pneumatic and electric impact wrenches
- Specially heat treated for impact use to provide long life, safety, and durability



PRODUCT ATTRIBUTES

Product			<b>A</b>	<b>B</b>	<b>C</b>	<b>D</b>	<b>E</b>		<b>F</b>	
<b>JHW16-646</b>	3/4 in	1-7/16 in	3-1/2 in	1-3/4 in	2-1/8 in	7/8 in	2-17/32 in	1-13/32 in	7/8 in	1.91 lb