

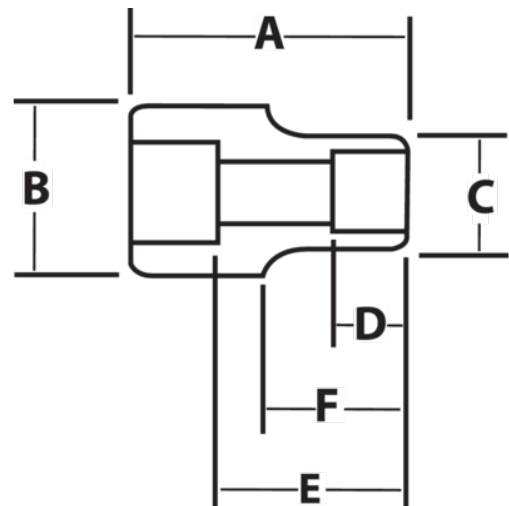


**JHW16-656**  
**3/4" Drive Deep Impact Socket 6-Point 1-3/4", Black Industrial Finish**







**PRODUCT DETAILS**

- SUPERTORQUE® lobular openings for greater turning power without deforming the fastener
- Designed for maximum engagement on 6 point fasteners
- Suitable for use with pneumatic and electric impact wrenches
- Specially heat treated for impact use to provide long life, safety, and durability



PRODUCT ATTRIBUTES

| Product          |  |  | <b>A</b> | <b>B</b> | <b>C</b> | <b>D</b> | <b>E</b>   |  | <b>F</b> |  |
|------------------|---|---|----------|----------|----------|----------|------------|---|----------|---|
| <b>JHW16-656</b> | 3/4 in  | 1-3/4 in  | 3-1/2 in | 1-3/4 in | 2-1/2 in | 1 in     | 2-17/32 in | 1-3/4 in  | 1 in     | 2.2 lb  |