

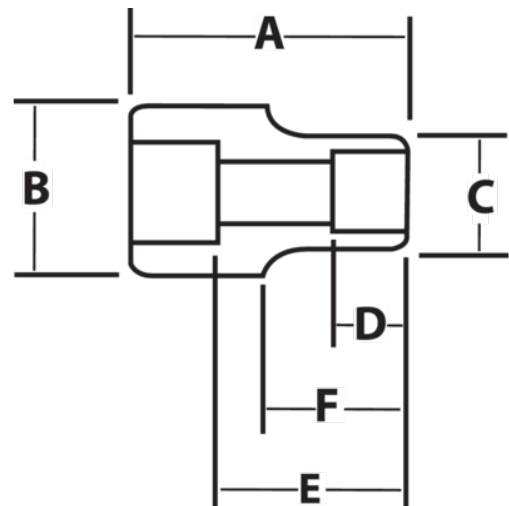


JHW16-664
**3/4" Drive Deep Impact Socket 6-
Point 2", Black Industrial Finish**







PRODUCT DETAILS

- SUPERTORQUE® lobular openings for greater turning power without deforming the fastener
- Designed for maximum engagement on 6 point fasteners
- Suitable for use with pneumatic and electric impact wrenches
- Specially heat treated for impact use to provide long life, safety, and durability



PRODUCT ATTRIBUTES

Product			A	B	C	D	E		F	
JHW16-664	3/4 in	2 in	3-3/4 in	1-3/4 in	2-3/16 in	1-1/8 in	2-3/4 in	2 in	1-1/8 in	3.13 lb