

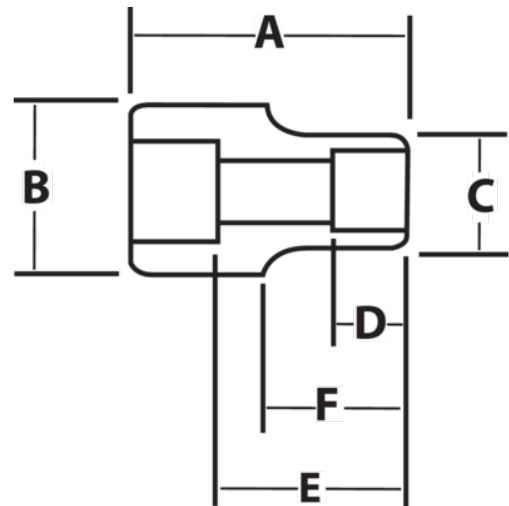


**JHW38228**  
**3/4" Drive Impact Hex Socket 7/8",**  
**Black Industrial Finish**







**PRODUCT DETAILS**

- One-piece design maximizes strength and reduces breakage
- Chamfered ends provide easy engagement of the drive tool and fastener
- Suitable for use with pneumatic and electric impact wrenches
- Specially heat treated for impact use to provide long life, safety, and durability
- Drive end features pin retention hole and groove



PRODUCT ATTRIBUTES

Product			<b>A</b>	<b>B</b>	<b>C</b>	<b>D</b>	<b>E</b>		<b>F</b>	
<b>JHW38228</b>	3/4 in	7/8 in	3-1/2 in	1-3/4 in	3/4 in	6-1XS in	6-1A/6-2C in			1.3 lb