

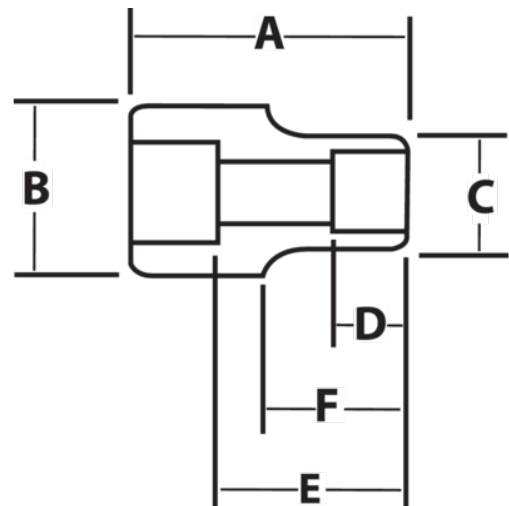


JHW6-618A
3/4" Drive Shallow Impact Socket
6-Point 9/16", Black Industrial
Finish







PRODUCT DETAILS

- SUPERTORQUE™ lobular openings for greater turning power without deforming the fastener
- Designed for maximum engagement on 6 point fasteners
- Suitable for use with pneumatic and electric impact wrenches
- Specially heat treated for impact use to provide long life, safety, and durability



PRODUCT ATTRIBUTES

Product			A	B	C	D	E		F	
JHW6-618A	3/4 in	9/16 in	2 in	1-5/8 in	1 in	17/32 in	1-1/32 in	1/2 in	1 in	0.58 lb