



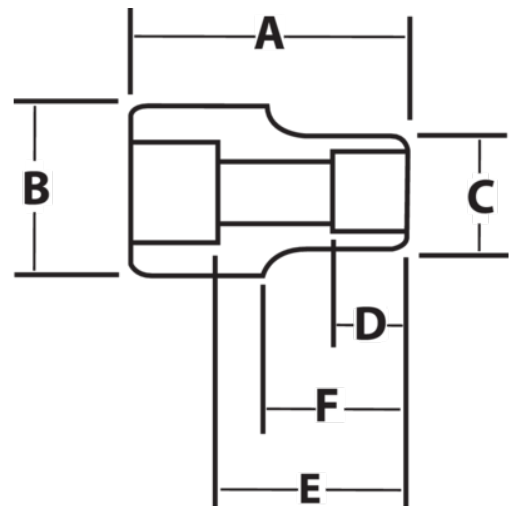
JHW6-628A

**3/4" Drive Shallow Impact Socket
6-Point 7/8", Black Industrial
Finish**







PRODUCT DETAILS

- SUPERTORQUE™ lobular openings for greater turning power without deforming the fastener
- Designed for maximum engagement on 6 point fasteners
- Suitable for use with pneumatic and electric impact wrenches
- Specially heat treated for impact use to provide long life, safety, and durability



PRODUCT ATTRIBUTES

Product			A	B	C	D	E		F	
JHW6-628A	3/4 in	7/8 in	2 in	1-5/8 in	1-1/2 in	19/32 in	1-1/32 in	11/16 in	1 in	0.73 lb