

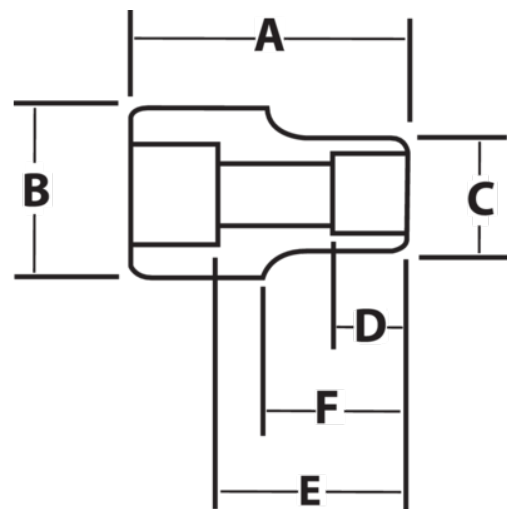


JHW6M-1230
3/4 Drive Shallow Impact Sockets,
12 Point 30 mm , Black Industrial
Finish







PRODUCT DETAILS

- SUPERTORQUE® lobular openings for greater turning power without deforming the fastener
- Designed for maximum engagement on 6 and 12 point fasteners
- Suitable for use with pneumatic and electric impact wrenches
- Specially heat treated for impact use to provide long life, safety, and durability
- Drive end features pin retention hole and groove



PRODUCT ATTRIBUTES

| Product |  |  | A | B | C | D | E |  | F |  |
|-------------------|---|---|----------|----------|----------|----------|----------|---|----------|---|
| JHW6M-1230 | 3/4 in | 30-mm | 2-1/4 in | 1-5/8 in | 1-3/4 in | 3/4 in | 1-3/8 in | 1 in | | 0.92 lb |