



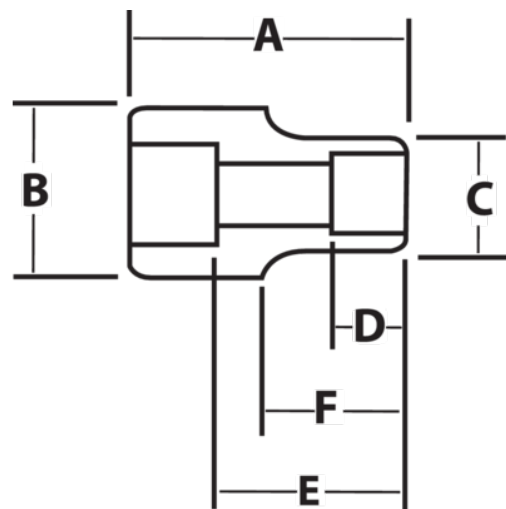
JHW6M-1233

**3/4 Drive Shallow Impact Sockets,
12 Point 33 mm , Black Industrial
Finish**







PRODUCT DETAILS

- SUPERTORQUE® lobular openings for greater turning power without deforming the fastener
- Designed for maximum engagement on 6 and 12 point fasteners
- Suitable for use with pneumatic and electric impact wrenches
- Specially heat treated for impact use to provide long life, safety, and durability
- Drive end features pin retention hole and groove



PRODUCT ATTRIBUTES

Product			A	B	C	D	E		F	
JHW6M-1233	3/4 in	33-mm	2-1/4 in	1-3/4 in	2 in	13/16 in	1-1/4 in	1-1/4 in		1.11 lb