

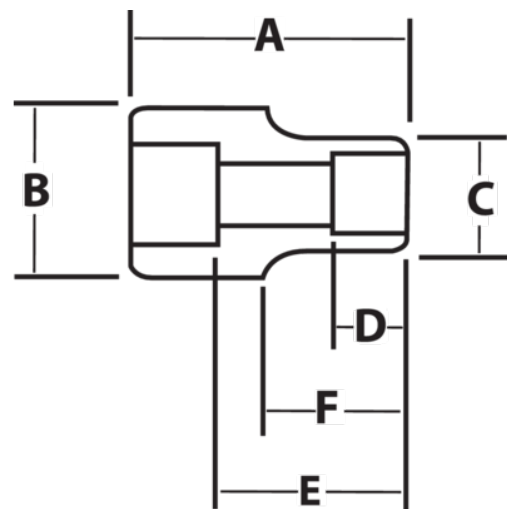


**JHW6M-1240**  
**3/4 Drive Shallow Impact Sockets,**  
**12 Point 40 mm , Black Industrial**  
**Finish**







**PRODUCT DETAILS**

- SUPERTORQUE® lobular openings for greater turning power without deforming the fastener
- Designed for maximum engagement on 6 and 12 point fasteners
- Suitable for use with pneumatic and electric impact wrenches
- Specially heat treated for impact use to provide long life, safety, and durability
- Drive end features pin retention hole and groove



PRODUCT ATTRIBUTES

Product			<b>A</b>	<b>B</b>	<b>C</b>	<b>D</b>	<b>E</b>		<b>F</b>	
<b>JHW6M-1240</b>	3/4 in	40-mm	2-1/2 in	1-3/4 in	2-3/8 in	1-1/8 in	1-7/16 in	1-1/2 in		1.51 lb