

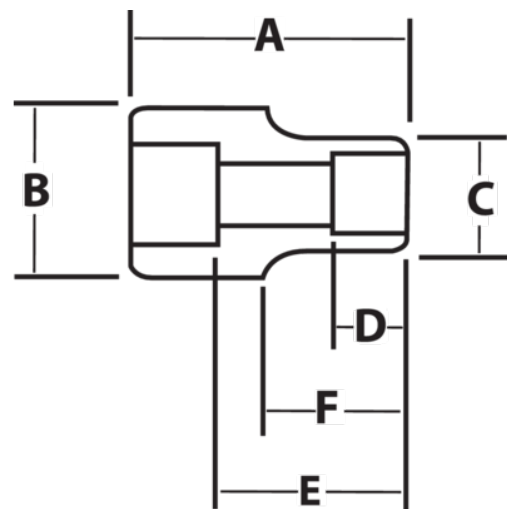


**JHW6M-1243**  
**3/4 Drive Shallow Impact Sockets,**  
**12 Point 43 mm , Black Industrial**  
**Finish**







**PRODUCT DETAILS**

- SUPERTORQUE® lobular openings for greater turning power without deforming the fastener
- Designed for maximum engagement on 6 and 12 point fasteners
- Suitable for use with pneumatic and electric impact wrenches
- Specially heat treated for impact use to provide long life, safety, and durability
- Drive end features pin retention hole and groove



PRODUCT ATTRIBUTES

| Product           |  |  | <b>A</b> | <b>B</b> | <b>C</b> | <b>D</b> | <b>E</b> |  | <b>F</b> |  |
|-------------------|---|---|----------|----------|----------|----------|----------|---|----------|---|
| <b>JHW6M-1243</b> | 3/4 in  | 43-mm   | 2-1/2 in | 1-3/4 in | 2-1/2 in | 1-1/8 in | 1-3/8 in | 1-3/4 in  |          | 1.68 lb   |