



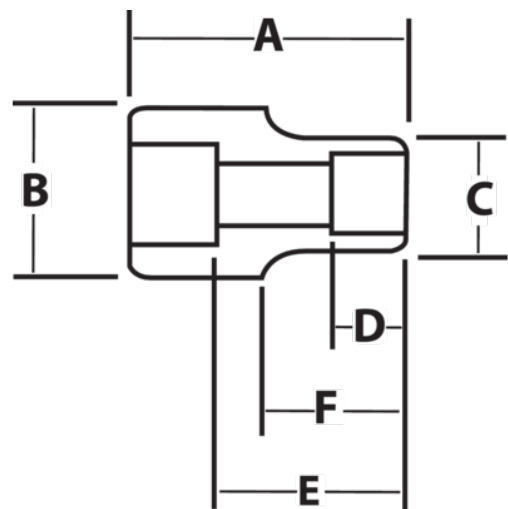
**JHW6M-1246**

**3/4 Drive Shallow Impact Sockets,  
12 Point 46 mm , Black Industrial  
Finish**







## PRODUCT DETAILS

- SUPERTORQUE® lobular openings for greater turning power without deforming the fastener
- Designed for maximum engagement on 6 and 12 point fasteners
- Suitable for use with pneumatic and electric impact wrenches
- Specially heat treated for impact use to provide long life, safety, and durability
- Drive end features pin retention hole and groove



PRODUCT ATTRIBUTES

Product			<b>A</b>	<b>B</b>	<b>C</b>	<b>D</b>	<b>E</b>		<b>F</b>	
<b>JHW6M-1246</b>	3/4 in	46-mm	2-3/4 in	1-3/4 in	2-5/8 in	1-1/8 in	1-1/2 in	1-3/4 in		1.9 lb