

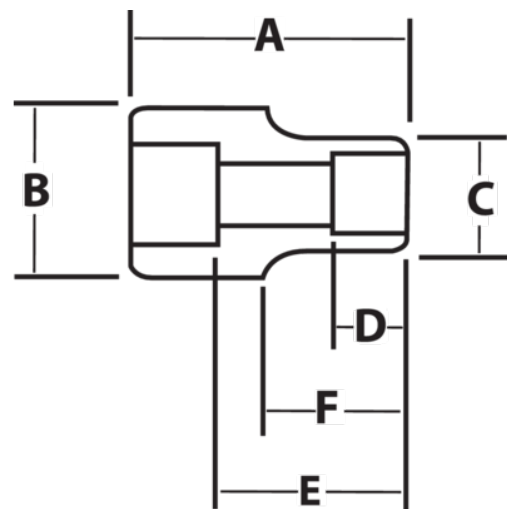


JHW6M-617A
3/4" Drive Shallow Impact Socket
6-Point 17M, Black Industrial
Finish







PRODUCT DETAILS

- SUPERTORQUE® lobular openings for greater turning power without deforming the fastener
- Designed for maximum engagement on 6 point fasteners
- Suitable for use with pneumatic and electric impact wrenches
- Specially heat treated for impact use to provide long life, safety, and durability
- Drive end features pin retention hole and groove



PRODUCT ATTRIBUTES

Product			A	B	C	D	E		F	
JHW6M-617A	3/4 in	17-mm	2 in	1-5/8 in	1-5/32 in	17/32 in	1-1/32 in	1/2 in	1 in	0.63 lb