



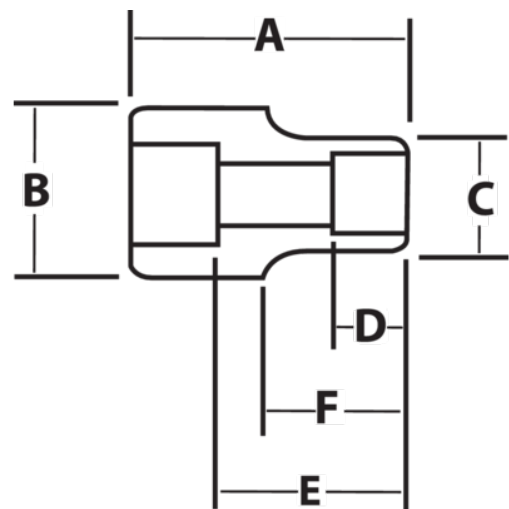
JHW6M-620A

**3/4" Drive Shallow Impact Socket
6-Point 20M, Black Industrial
Finish**







PRODUCT DETAILS

- SUPERTORQUE® lobular openings for greater turning power without deforming the fastener
- Designed for maximum engagement on 6 point fasteners
- Suitable for use with pneumatic and electric impact wrenches
- Specially heat treated for impact use to provide long life, safety, and durability
- Drive end features pin retention hole and groove



PRODUCT ATTRIBUTES

Product			A	B	C	D	E		F	
JHW6M-620A	3/4 in	20-mm	2 in	1-5/8 in	1-3/8 in	35/64 in	1-1/32 in	11/16 in	1 in	0.69 lb