

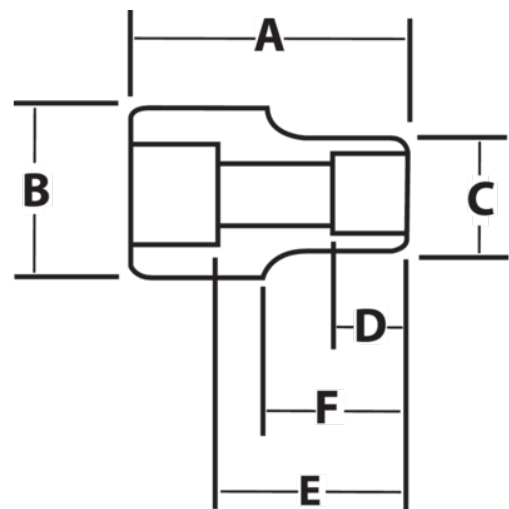


JHW6M-631
3/4" Drive Shallow Impact Socket
6-Point 31M, Black Industrial
Finish







PRODUCT DETAILS

- SUPERTORQUE® lobular openings for greater turning power without deforming the fastener
- Designed for maximum engagement on 6 point fasteners
- Suitable for use with pneumatic and electric impact wrenches
- Specially heat treated for impact use to provide long life, safety, and durability
- Drive end features pin retention hole and groove



PRODUCT ATTRIBUTES

Product			A	B	C	D	E		F	
JHW6M-631	3/4 in	31-mm	2-1/8 in	1-5/8 in	1-15/16 in	3/4 in	1-3/16 in	1-7/32 in	1-7/16 in	1.1 lb