

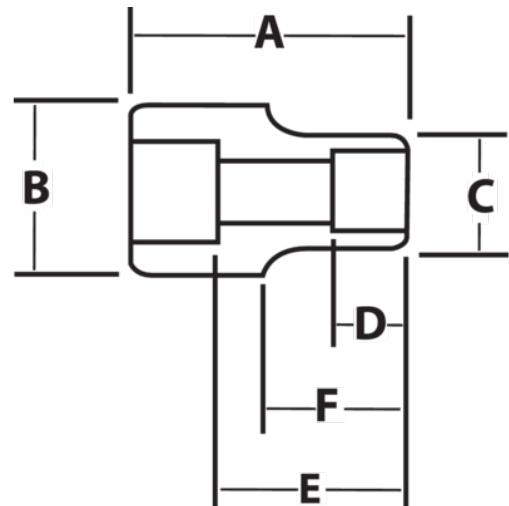


JHWX-1236
1 Drive Shallow Socket, High Polished Chrome Finish, 12 Point, 1-1/8



PRODUCT DETAILS

- SUPERTORQUE® lobular openings for greater turning power without deforming the fastener
- Designed for quick engagement on both 6 and 12 point fasteners



PRODUCT ATTRIBUTES

Product			A	B	C	D	E		F	
JHWX-1236	1 in	1-1/8 in	2-1/4 in	2 in	1-3/4 in	3/4 in	1-1/16 in	13/16 in	7/8 in	1.12 lb