



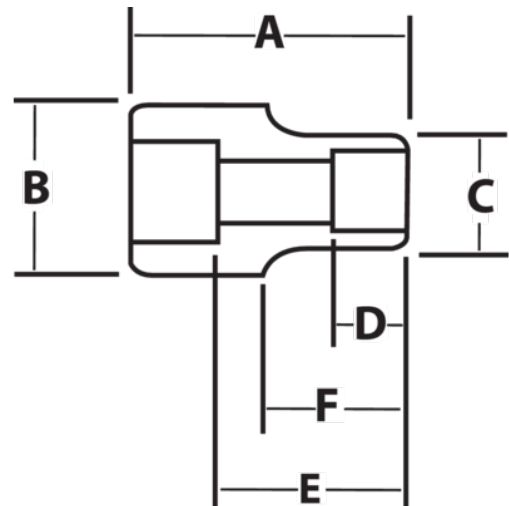
JHWX-1256

**1 Drive Shallow 12 Point Socket,
High Polished Chrome Finish, SAE,
1-11/16**



PRODUCT DETAILS

- SUPERTORQUE® lobular openings for greater turning power without deforming the fastener
- Designed for quick engagement on both 6 and 12 point fasteners



PRODUCT ATTRIBUTES

Product			A	B	C	D	E		F	
JHWX-1256	1 in	1-3/4 in	3 in	2 in	2-9/16 in	1-1/4 in	1-27/32 in	1-13/16 in	2-1/16 in	1.7 lb