

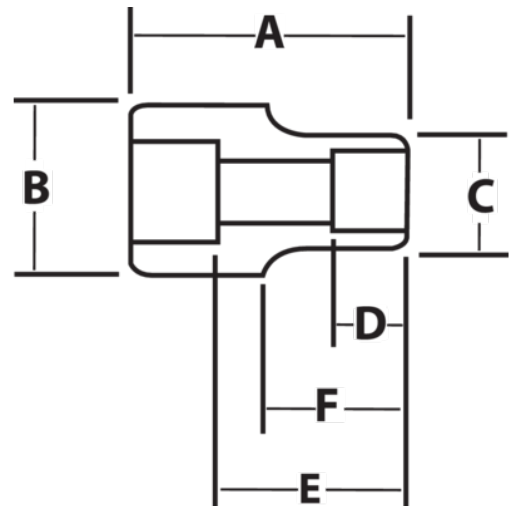


JHWX-1268
12 Drive Shallow 12-Point Socket,
High Polished Chrome Finish, 2



PRODUCT DETAILS

- SUPERTORQUE® lobular openings for greater turning power without deforming the fastener
- Designed for quick engagement on both 6 and 12 point fasteners



PRODUCT ATTRIBUTES

Product			A	B	C	D	E		F	
JHWX-1268	1 in	2-1/8 in	3-1/2 in	2-1/4 in	3-1/8 in	1-1/2 in	2-11/32 in	1-7/16 in	2-9/16 in	3.45 lb