

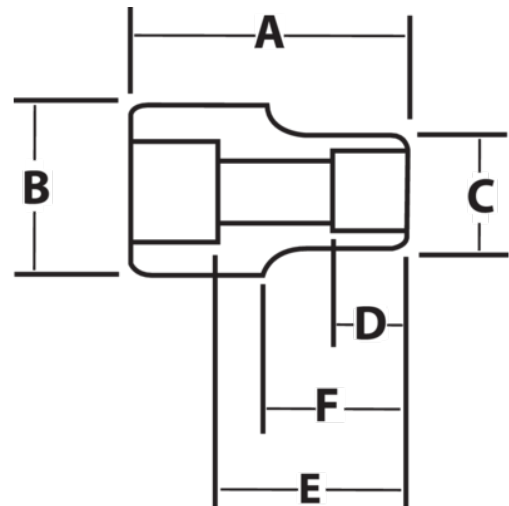


JHWX-1284
12 Drive Shallow 12-Point Socket,
High Polished Chrome Finish,
2-9/16



PRODUCT DETAILS

- SUPERTORQUE® lobular openings for greater turning power without deforming the fastener
- Designed for quick engagement on both 6 and 12 point fasteners



PRODUCT ATTRIBUTES

| Product | | | A | B | C | D | E | | F | |
|------------------|------|----------|----------|----------|----------|----------|-----------|----------|----------|--------|
| JHWX-1284 | 1 in | 2-5/8 in | 4-1/4 in | 2-1/4 in | 3-5/8 in | 1-7/8 in | 3-3/32 in | 2-5/8 in | 3-1/8 in | 4.9 lb |