

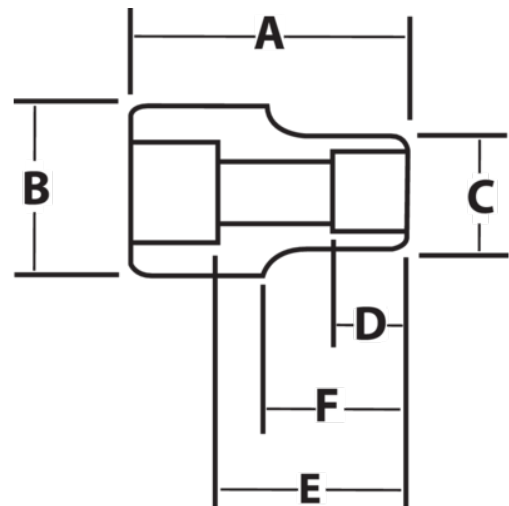


**JHW17-6128**  
**1" Drive Deep Impact Socket 6-Point 4", Black Industrial Finish**







**PRODUCT DETAILS**

- SUPERTORQUE® lobular openings for greater turning power without deforming the fastener
- Designed for maximum engagement on 6 point fasteners
- Suitable for use with pneumatic and electric impact wrenches
- Specially heat treated for impact use to provide long life, safety, and durability



PRODUCT ATTRIBUTES

Product			<b>A</b>	<b>B</b>	<b>C</b>	<b>D</b>	<b>E</b>		<b>F</b>	
<b>JHW17-6128</b>	1 in	4 in	6-1/8 in	2-3/8 in	5-1/2 in	2-17/32 in	4-3/32 in	2-7/8 in	2-17/32 in	20.02 lb