

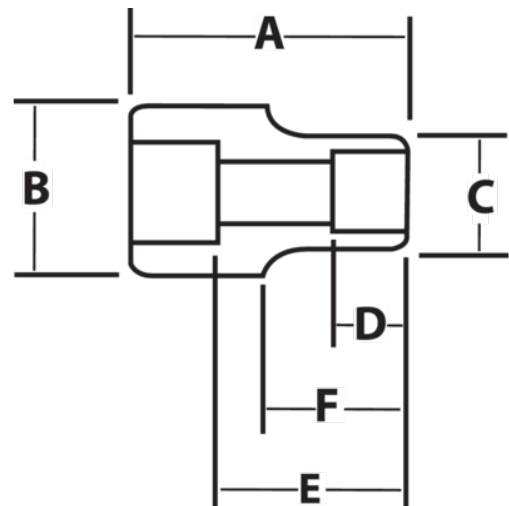


JHW17-6172
1" Drive Deep Impact Socket 6-Point 5-3/8", Black Industrial Finish







PRODUCT DETAILS

- SUPERTORQUE® lobular openings for greater turning power without deforming the fastener
- Designed for maximum engagement on 6 point fasteners
- Suitable for use with pneumatic and electric impact wrenches
- Specially heat treated for impact use to provide long life, safety, and durability



PRODUCT ATTRIBUTES

Product			A	B	C	D	E		F	
JHW17-6172	1 in	5-3/8 in	8 in	3-1/4 in	7-1/2 in	3-9/16 in	5-25/32 in	3-21/32 in	3-9/16 in	36.91 lb