

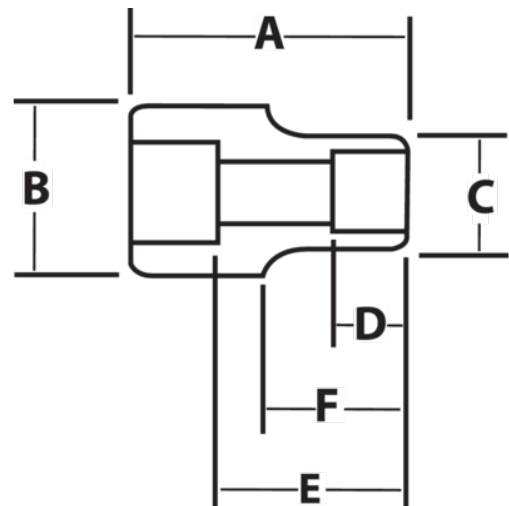


**JHW17-640**  
**1" Drive Deep Impact Socket 6-Point 1-1/4", Black Industrial Finish**







**PRODUCT DETAILS**

- SUPERTORQUE® lobular openings for greater turning power without deforming the fastener
- Designed for maximum engagement on 6 point fasteners
- Suitable for use with pneumatic and electric impact wrenches
- Specially heat treated for impact use to provide long life, safety, and durability



PRODUCT ATTRIBUTES

Product			<b>A</b>	<b>B</b>	<b>C</b>	<b>D</b>	<b>E</b>		<b>F</b>	
<b>JHW17-640</b>	1 in	1-1/4 in	3-3/4 in	2-1/8 in	1-31/32 in	1-15/16 in	2-19/32 in	7/8 in	1-15/16 in	1.97 lb