

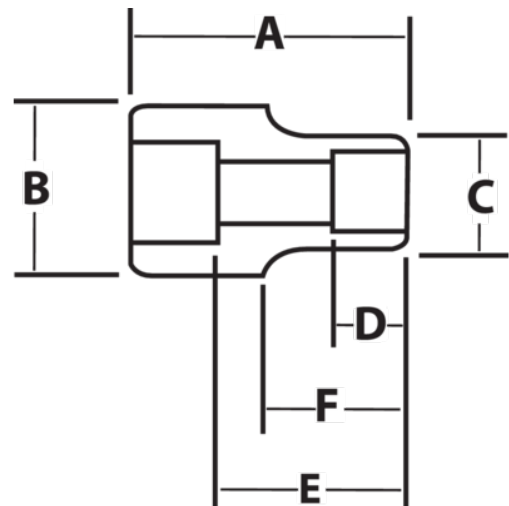


JHW17-650
1" Drive Deep Impact Socket 6-
Point 1-9/16", Black Industrial
Finish







PRODUCT DETAILS

- SUPERTORQUE® lobular openings for greater turning power without deforming the fastener
- Designed for maximum engagement on 6 point fasteners
- Suitable for use with pneumatic and electric impact wrenches
- Specially heat treated for impact use to provide long life, safety, and durability



PRODUCT ATTRIBUTES

Product			A	B	C	D	E		F	
JHW17-650	1 in	19/16 in	3-1/2 in	2-1/4 in	2-3/8 in	1 in	2-11/32 in	1-17/32 in	1 in	1.9 lb