



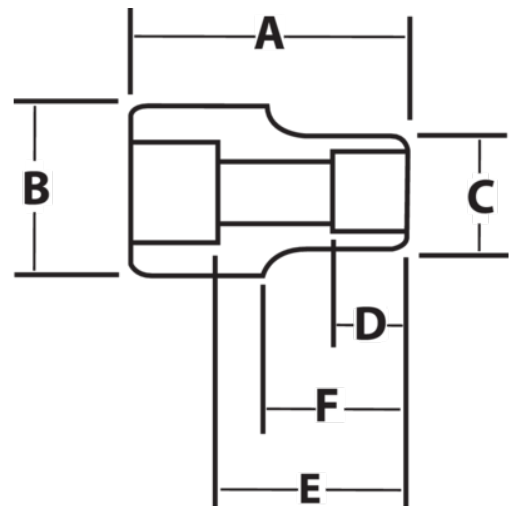
JHW17-662

1" Drive Deep Impact Socket 6-Point 1-15/16", Black Industrial Finish







PRODUCT DETAILS

- SUPERTORQUE® lobular openings for greater turning power without deforming the fastener
- Designed for maximum engagement on 6 point fasteners
- Suitable for use with pneumatic and electric impact wrenches
- Specially heat treated for impact use to provide long life, safety, and durability



PRODUCT ATTRIBUTES

Product			A	B	C	D	E		F	
JHW17-662	1 in	1-15/16 in	4-1/2 in	2-1/4 in	2-27/32 in	2-13/16 in	3-1/4 in	1-3/8 in	2-13/16 in	4.21 lb