

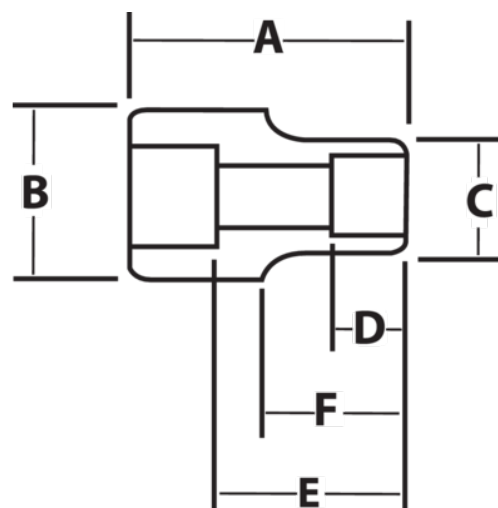


JHW17-676
1" Drive Deep Impact Socket 6-Point 2-3/8", Black Industrial Finish







PRODUCT DETAILS

- SUPERTORQUE® lobular openings for greater turning power without deforming the fastener
- Designed for maximum engagement on 6 point fasteners
- Suitable for use with pneumatic and electric impact wrenches
- Specially heat treated for impact use to provide long life, safety, and durability



PRODUCT ATTRIBUTES

Product			A	B	C	D	E		F	
JHW17-676	1 in	2-3/8 in	5 in	2-13/32 in	3-3/8 in	3-3/8 in	3-5/8 in	1-3/4 in	3-3/8 in	6 lb