

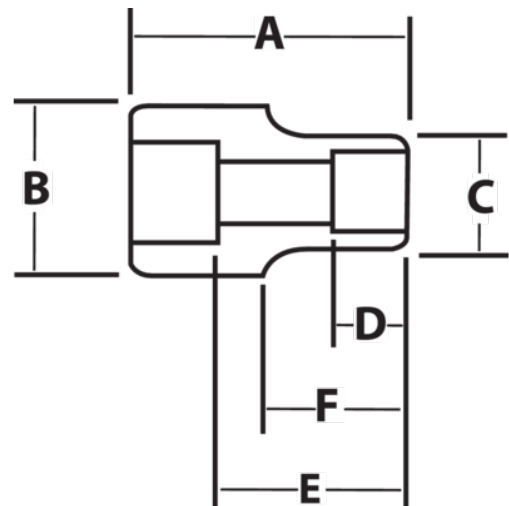


JHW17-678
1" Drive Deep Impact Socket 6-Point 2-7/16", Black Industrial Finish







PRODUCT DETAILS

- SUPERTORQUE® lobular openings for greater turning power without deforming the fastener
- Designed for maximum engagement on 6 point fasteners
- Suitable for use with pneumatic and electric impact wrenches
- Specially heat treated for impact use to provide long life, safety, and durability



PRODUCT ATTRIBUTES

| Product |  |  | A | B | C | D | E |  | F |  |
|------------------|---|---|----------|----------|----------|----------|-----------|---|----------|---|
| JHW17-678 | 1 in | 2-7/16 in | 4-1/2 in | 2-3/8 in | 3-1/2 in | 1-1/2 in | 3-7/32 in | 1-3/4 in | 1-1/2 in | 6.56 lb |