



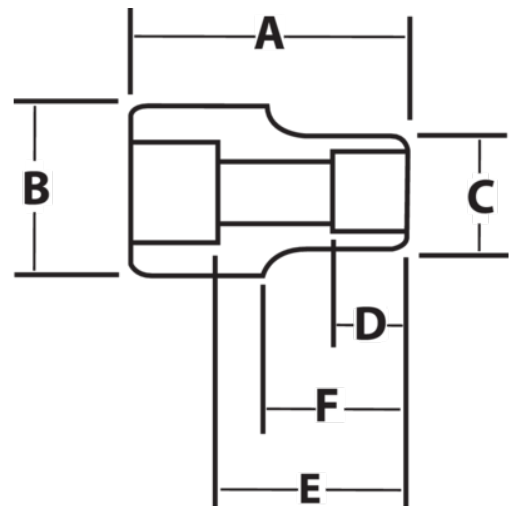
**JHW7-12116**

**1 Drive Shallow 12 Point 3 5/8"  
Impact Socket, Black Industrial  
Finish**







## PRODUCT DETAILS

- SUPERTORQUE® lobular openings for greater turning power without deforming the fastener
- Designed for maximum engagement on 6 and 12 point fasteners
- Suitable for use with pneumatic and electric impact wrenches
- Specially heat treated for impact use to provide long life, safety, and durability



PRODUCT ATTRIBUTES

Product			<b>A</b>	<b>B</b>	<b>C</b>	<b>D</b>	<b>E</b>		<b>F</b>	
<b>JHW7-12116</b>	1 in	3-5/8 in	5 in	2-3/8 in	4-7/8 in	2-1/4 in	3-3/16 in	3-5/8 in		11.31 lb