



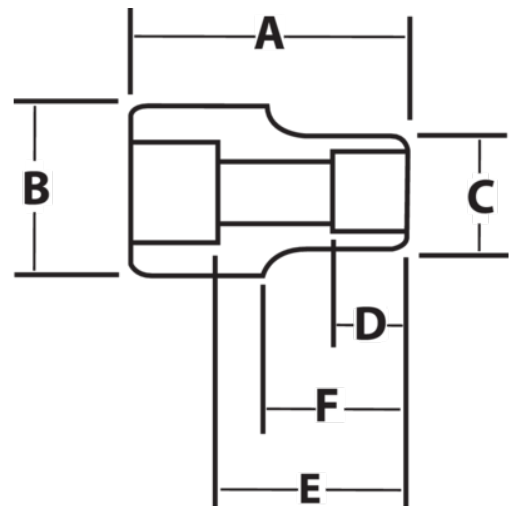
JHW7-12144

**1 Drive Shallow 12 Point 4 1/2
Impact Socket, Black Industrial
Finish**







PRODUCT DETAILS

- SUPERTORQUE® lobular openings for greater turning power without deforming the fastener
- Designed for maximum engagement on 6 and 12 point fasteners
- Suitable for use with pneumatic and electric impact wrenches
- Specially heat treated for impact use to provide long life, safety, and durability



PRODUCT ATTRIBUTES

Product			A	B	C	D	E		F	
JHW7-12144	1 in	4-1/2 in	5-3/4 in	2-3/8 in	6 in	2-1/2 in	3-2/3 in	4-1/2 in		17.49 lb