

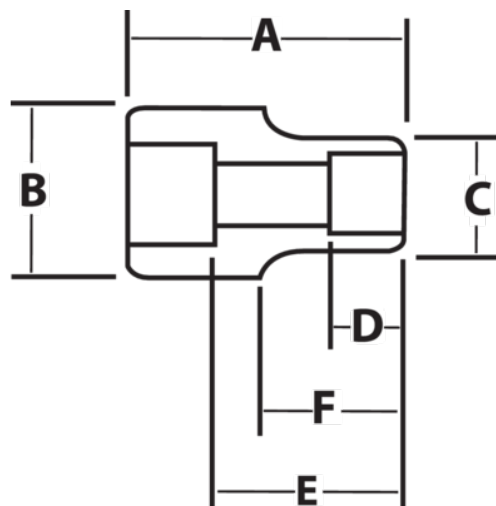


**JHW7-1242**  
**1 Drive Shallow 12 Point 1 5/16"**  
**Impact Socket, Black Industrial**  
**Finish**







**PRODUCT DETAILS**

- SUPERTORQUE® lobular openings for greater turning power without deforming the fastener
- Designed for maximum engagement on 6 and 12 point fasteners
- Suitable for use with pneumatic and electric impact wrenches
- Specially heat treated for impact use to provide long life, safety, and durability



PRODUCT ATTRIBUTES

Product			<b>A</b>	<b>B</b>	<b>C</b>	<b>D</b>	<b>E</b>		<b>F</b>	
<b>JHW7-1242</b>	1 in	1-5/16 in	2-3/4 in	2-1/8 in	2-1/8 in	7/8 in	1-5/8 in	1-1/4 in		1.67 lb