

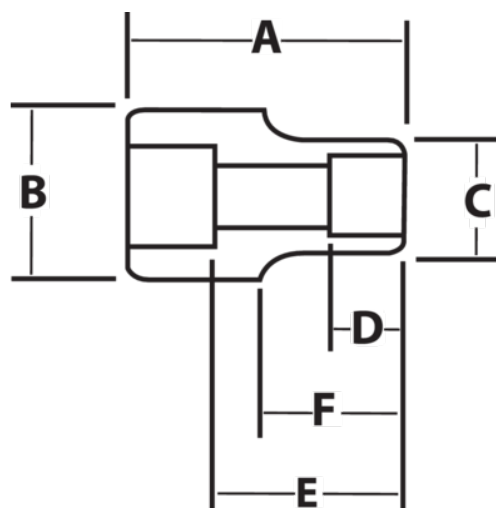


JHW7-1244
1 Drive Shallow 12 Point 1 3/8
Impact Socket, Black Industrial
Finish







PRODUCT DETAILS

- SUPERTORQUE® lobular openings for greater turning power without deforming the fastener
- Designed for maximum engagement on 6 and 12 point fasteners
- Suitable for use with pneumatic and electric impact wrenches
- Specially heat treated for impact use to provide long life, safety, and durability



PRODUCT ATTRIBUTES

Product			A	B	C	D	E		F	
JHW7-1244	1 in	1-3/8 in	2-3/4 in	2-1/8 in	2-1/8 in	7/8 in	1-5/8 in	1-1/3 in		1.59 lb