

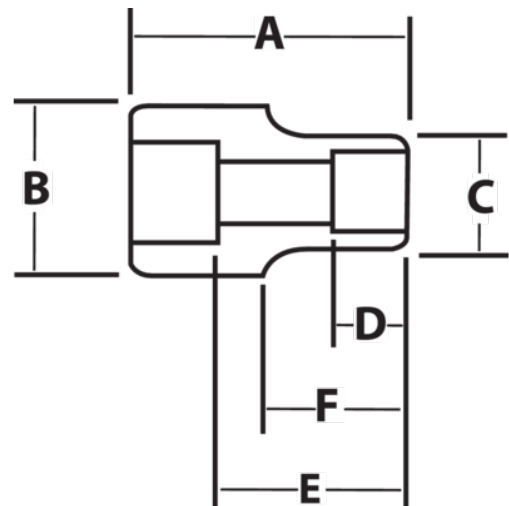


**JHW7-1258**  
**1 Drive Shallow 12 Point 1 13/16"**  
**Impact Socket, Black Industrial**  
**Finish**







**PRODUCT DETAILS**

- SUPERTORQUE® lobular openings for greater turning power without deforming the fastener
- Designed for maximum engagement on 6 and 12 point fasteners
- Suitable for use with pneumatic and electric impact wrenches
- Specially heat treated for impact use to provide long life, safety, and durability



PRODUCT ATTRIBUTES

Product			<b>A</b>	<b>B</b>	<b>C</b>	<b>D</b>	<b>E</b>		<b>F</b>	
<b>JHW7-1258</b>	1 in	1-13/16 in	3 in	2-1/4 in	2-5/8 in	1-1/8 in	1-7/8 in	1-7/16 in		2.53 lb