



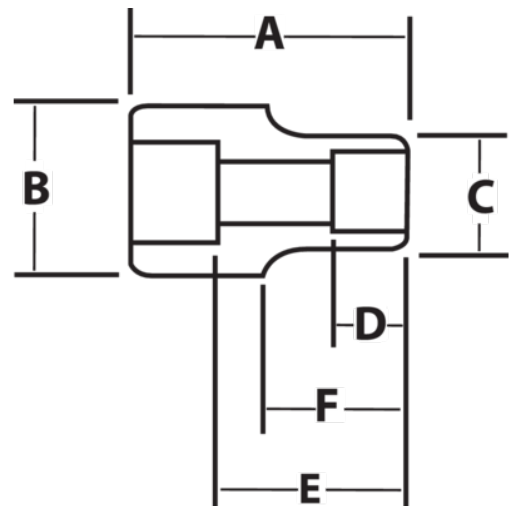
JHW7-1296

**1 Drive Shallow 12 Point 3" Impact Socket, Black Industrial Finish**







PRODUCT DETAILS

- SUPERTORQUE® lobular openings for greater turning power without deforming the fastener
- Designed for maximum engagement on 6 and 12 point fasteners
- Suitable for use with pneumatic and electric impact wrenches
- Specially heat treated for impact use to provide long life, safety, and durability



PRODUCT ATTRIBUTES

Product			<b>A</b>	<b>B</b>	<b>C</b>	<b>D</b>	<b>E</b>		<b>F</b>	
<b>JHW7-1296</b>	1 in	3 in	4-1/4 in	2-3/8 in	4-1/8 in	1-3/4 in	2-5/8 in	3 in		7.04 lb