

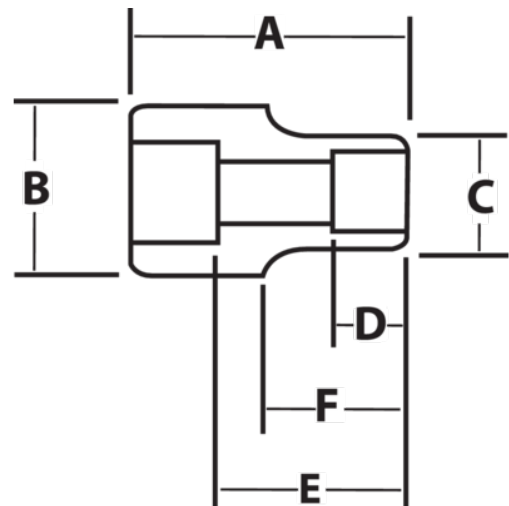


**JHW41224**  
**1-1/2 Drive 3-7/8 Shallow Impact**  
**Socket 12 Point , Black Industrial**  
**Finish**







#### PRODUCT DETAILS

- SUPERTORQUE® lobular openings for greater turning power without deforming the fastener
- Designed for maximum engagement on 6 and 12 point fasteners
- Suitable for use with pneumatic and electric impact wrenches
- Specially heat treated for impact use to provide long life, safety, and durability



PRODUCT ATTRIBUTES

Product			<b>A</b>	<b>B</b>	<b>C</b>	<b>D</b>	<b>E</b>		<b>F</b>	
<b>JHW41224</b>	1-1/2 in	3-7/8 in	4-15/16 in	3-3/4 in	5-7/16 in	2-1/4 in		3-5/8 in	2 in	13.12 lb