

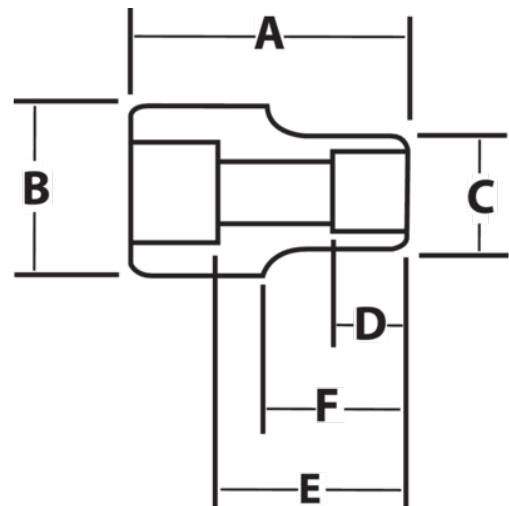


JHW8-6110
1-1/2 Drive Shallow Impact Socket,
6 Point, 3-7/16, Black Industrial
Finish







PRODUCT DETAILS

- SUPERTORQUE™ lobular openings for greater turning power without deforming the fastener
- Designed for maximum engagement on 6 point fasteners
- Suitable for use with pneumatic and electric impact wrenches
- Specially heat treated for impact use to provide long life, safety, and durability



PRODUCT ATTRIBUTES

Product			A	B	C	D	E		F	
JHW8-6110	1-1/2 in	3-7/16 in	4-27/32 in	3-1/4 in	5 in	2-9/32 in	3-7/32 in	2-5/8 in	2-3/4 in	12 lb