



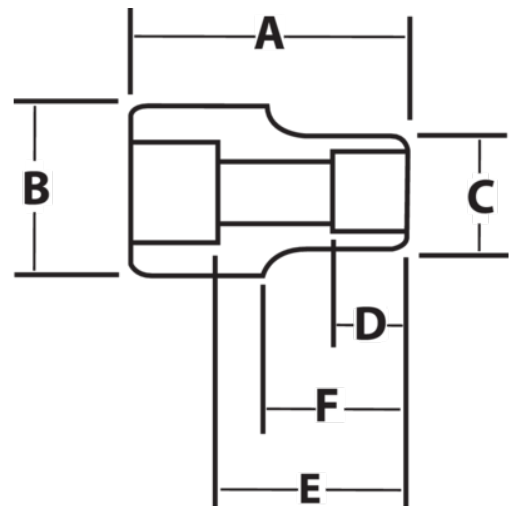
JHW8-6232

**1-1/2 Drive Shallow Impact Socket,
6 Point, 7-1/4, Black Industrial
Finish**







PRODUCT DETAILS

- SUPERTORQUE™ lobular openings for greater turning power without deforming the fastener
- Designed for maximum engagement on 6 point fasteners
- Suitable for use with pneumatic and electric impact wrenches
- Specially heat treated for impact use to provide long life, safety, and durability



PRODUCT ATTRIBUTES

Product			A	B	C	D	E		F	
JHW8-6232	1-1/2 in	7-1/4 in	8-1/8 in	5 in	10 in	4-1/2 in	6-1/4 in	5-1/2 in	5-49/64 in	71.78 lb