



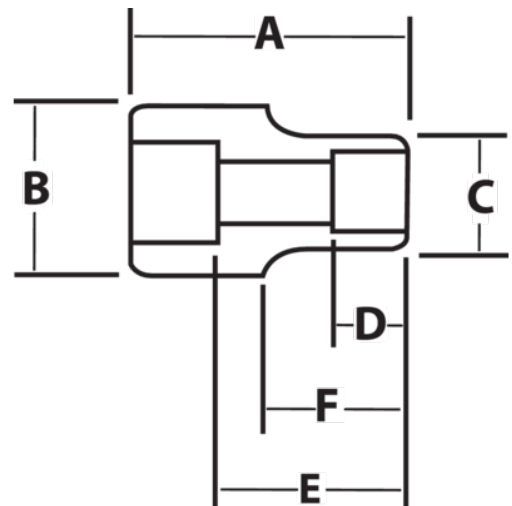
JHW8-6256

**1-1/2 Drive Shallow Impact Socket,
6 Point, 8, Black Industrial Finish**







PRODUCT DETAILS

- SUPERTORQUE™ lobular openings for greater turning power without deforming the fastener
- Designed for maximum engagement on 6 point fasteners
- Suitable for use with pneumatic and electric impact wrenches
- Specially heat treated for impact use to provide long life, safety, and durability



PRODUCT ATTRIBUTES

Product			A	B	C	D	E		F	
JHW8-6256	1-1/2 in	8 in	83/8 in	5 in	11 in	51/16 in	61/2 in	7 in	61/64 in	93.02 lb