

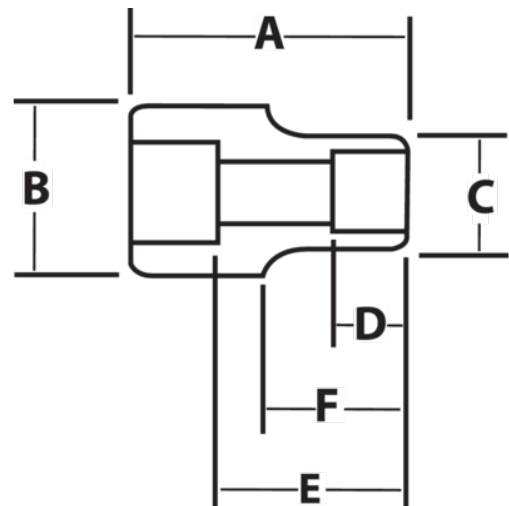


**JHW8-668**  
**1-1/2 Drive Shallow Impact Socket,**  
**6 Point, 2-1/8, Black Industrial**  
**Finish**







**PRODUCT DETAILS**

- SUPERTORQUE™ lobular openings for greater turning power without deforming the fastener
- Designed for maximum engagement on 6 point fasteners
- Suitable for use with pneumatic and electric impact wrenches
- Specially heat treated for impact use to provide long life, safety, and durability



PRODUCT ATTRIBUTES

Product			<b>A</b>	<b>B</b>	<b>C</b>	<b>D</b>	<b>E</b>		<b>F</b>	
<b>JHW8-668</b>	1-1/2 in	2-1/8 in	3-9/16 in	3-1/4 in	3-1/2 in	1-27/64 in	1-59/64 in	2-1/8 in	1-59/64 in	5.71 lb